



LIGHT RELATED PARTS



**CRF250 RALLY  
 SPECIFIC COUPLER HARNESS INCLUDED!  
 NO HARNESS MODIFICATION REQUIRED!**

**2-LIGHT STYLE  
 LED SHUTTLE BEAM KIT RELEASED!**

**LED SHUTTLE BEAM KIT**

APPLICATION			
CRF250 RALLY (MD44 / FNo.MD47-1000001-1199999)			
NOTES			
<ul style="list-style-type: none"> <li>● BOLT-ON</li> <li>● LED SHUTTLE BEAM × 2</li> <li>● SPECIFIC WIRE HARNESS (WITH HUSE BOX / LOW PROFILE : 5A)、COLLAR、BOLT INCL.</li> <li>● POWER ON/OFF SWITCH INCL.</li> <li>● CABLE TIES INCL.</li> </ul>			

TYPE	CODE	PRICE	JAN CODE
LIME YELLOW	800-1815030	¥ 16,500	4 990852 112889 1
CLEAR	800-1815080	¥ 16,000	4 990852 112890 7

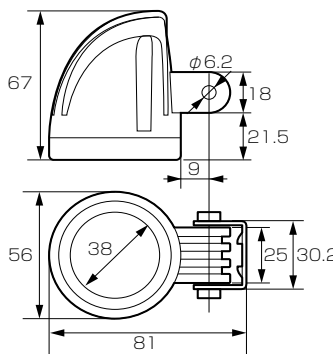
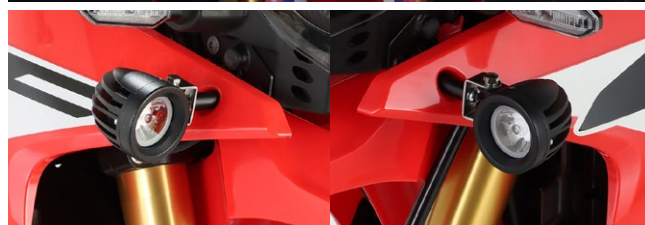
※ To drawn power from front option, wiring branching is required when installing other products together.  
 ※ Unit becomes very hot while it is on /after turning off, so please be careful not to burn yourself.  
 ※ If installed together with high-power devices such as grip heaters, total power consumption may exceed the vehicle's power capacity.



Two-lamp high-brightness LED shuttle beam kit includes specific stay and harness. Helps to improve dress-up and as supported lamp for nighttime driving.



ON/OFF Swich



**● LED Shuttle Beam Specifications**

- BODY : ALUMINUM DIE-CAST BLACK
- LENS : ACRYLIC
- WATERPROOF
- BRIGHTNESS : MAX 800 LUMENS (CLEAR)
- COLOR TEMPERATURE : 6000 KELVIN (CLEAR)
- POWER CONSUMPTION : 10W
- CURRENT CONSUMPTION : 0.9A

SIZE (mm)